



 **TECHNOGEAR®**  
Precision Gearing

 **TECHNODRIVE®**  
Standard Gearing

 **TECHNOMOTION®**  
Linear Movement

 **TECHNOLOCK®**  
Couplings and Clutches

 **TECHNOTEAM®**  
Mechanical Solutions

  
**SIPCO**  
Mechanical Linkage Solutions



## Our Company

**SIPCO** is your source for mechanical linkage solutions. Our experience in bringing together knowledge, resources, manufacturing and assembly gives you complete solutions that fit between your load and drive systems. These solutions are a result of: our inventory of precision and standard components; ability to design and manufacture custom components; and fabrication of full working assemblies for specific applications.

**SIPCO** has been satisfying customers since 1984. In that time we have established a reputation for efficient service to industries using motion control, power transmission, and hydraulic systems. Today, our products are working in many applications, including robotic, packaging, automotive, pharmaceutical, printing, steel, energy and material handling. Through this experience, we are continually evolving, offering new innovative solutions for high-tech applications.

### One Source—One Order

**SIPCO** offers a complete product line of standard and precision components. When you have one source, you only have to place one order to fill your mechanical linkage needs.

**SIPCO** product lines are:

- **TechnoGear®** –precision gearing
- **TechnoDrive®** –standard gearing
- **TechnoMotion®** –linear movement
- **TechnoLock®** –couplings and clutches
- **TechnoTeam®** –components to complete systems

### Engineering, Custom Manufacturing and Assembly

At **SIPCO** we know that customers often require special components or assemblies. We have invested in engineers, technicians and manufacturing equipment to offer the flexibility and quality you demand at a competitive price.

**SIPCO** can:

- Engineer components or work from your plans
- Manufacture single prototypes
- Make full production runs
- Fabricate complete assemblies

### Service

**SIPCO** can get you the parts when you need them. We keep an extensive inventory in our warehouse that is constantly tracked and monitored. Our in-house capabilities allow us to custom-manufacture components and assemblies on demand.

*Our flexibility has been paramount in our success...  
Because of our knowledge and resources our customers  
get what they want, when they need it.*



An extensive inventory of precision and standard products allows **SIPCO** to supply you parts when you need them.



**SIPCO** in-house engineering and manufacturing allows us to produce custom components, from your designs or ours.



**SIPCO** custom assembles components, from single prototypes to full production runs.

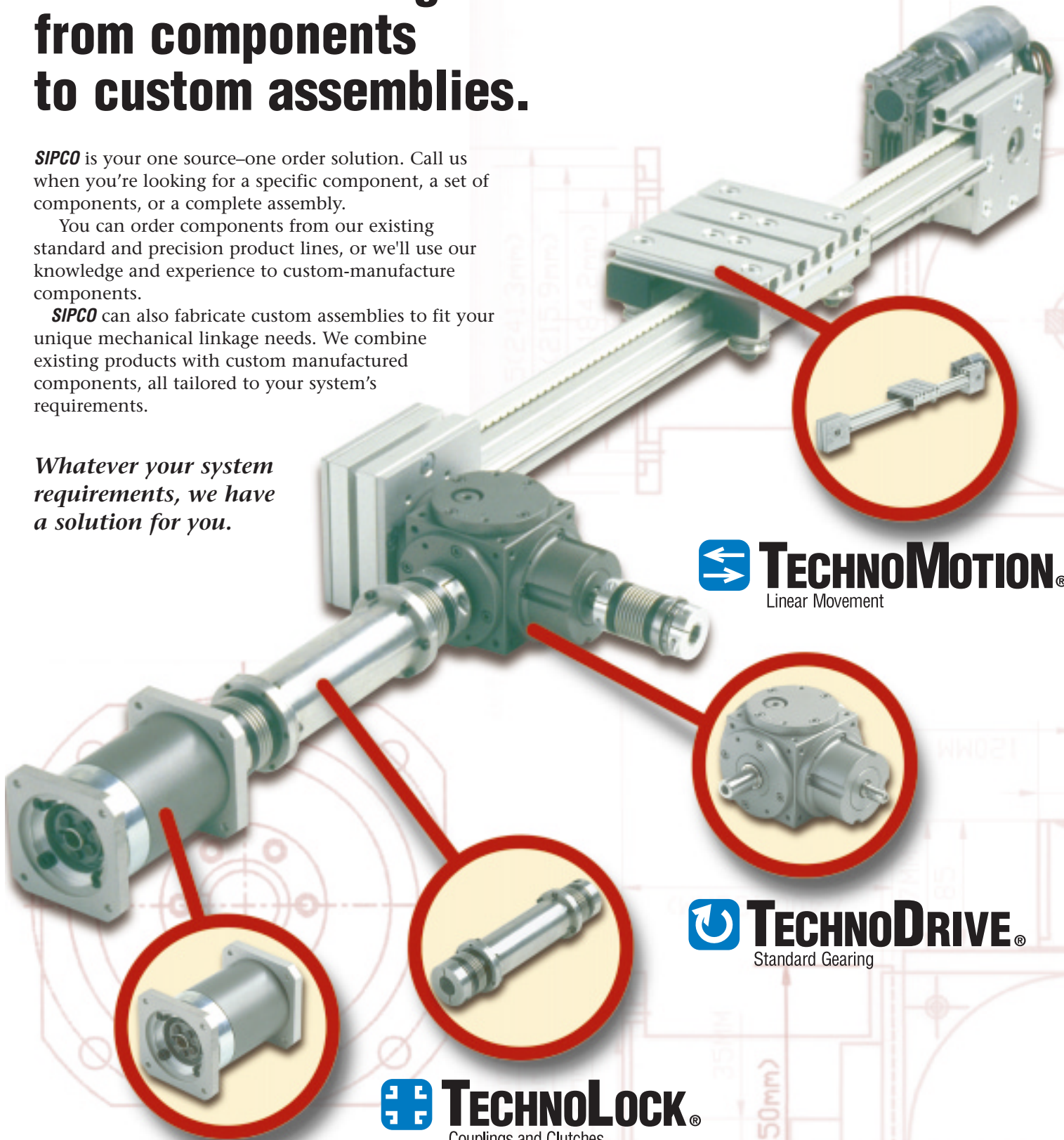
# **SIPCO** provides mechanical linkage solutions... from components to custom assemblies.

**SIPCO** is your one source—one order solution. Call us when you're looking for a specific component, a set of components, or a complete assembly.

You can order components from our existing standard and precision product lines, or we'll use our knowledge and experience to custom-manufacture components.

**SIPCO** can also fabricate custom assemblies to fit your unique mechanical linkage needs. We combine existing products with custom manufactured components, all tailored to your system's requirements.

*Whatever your system requirements, we have a solution for you.*



 **TECHNO MOTION**®  
Linear Movement

 **TECHNO DRIVE**®  
Standard Gearing

 **TECHNO LOCK**®  
Couplings and Clutches

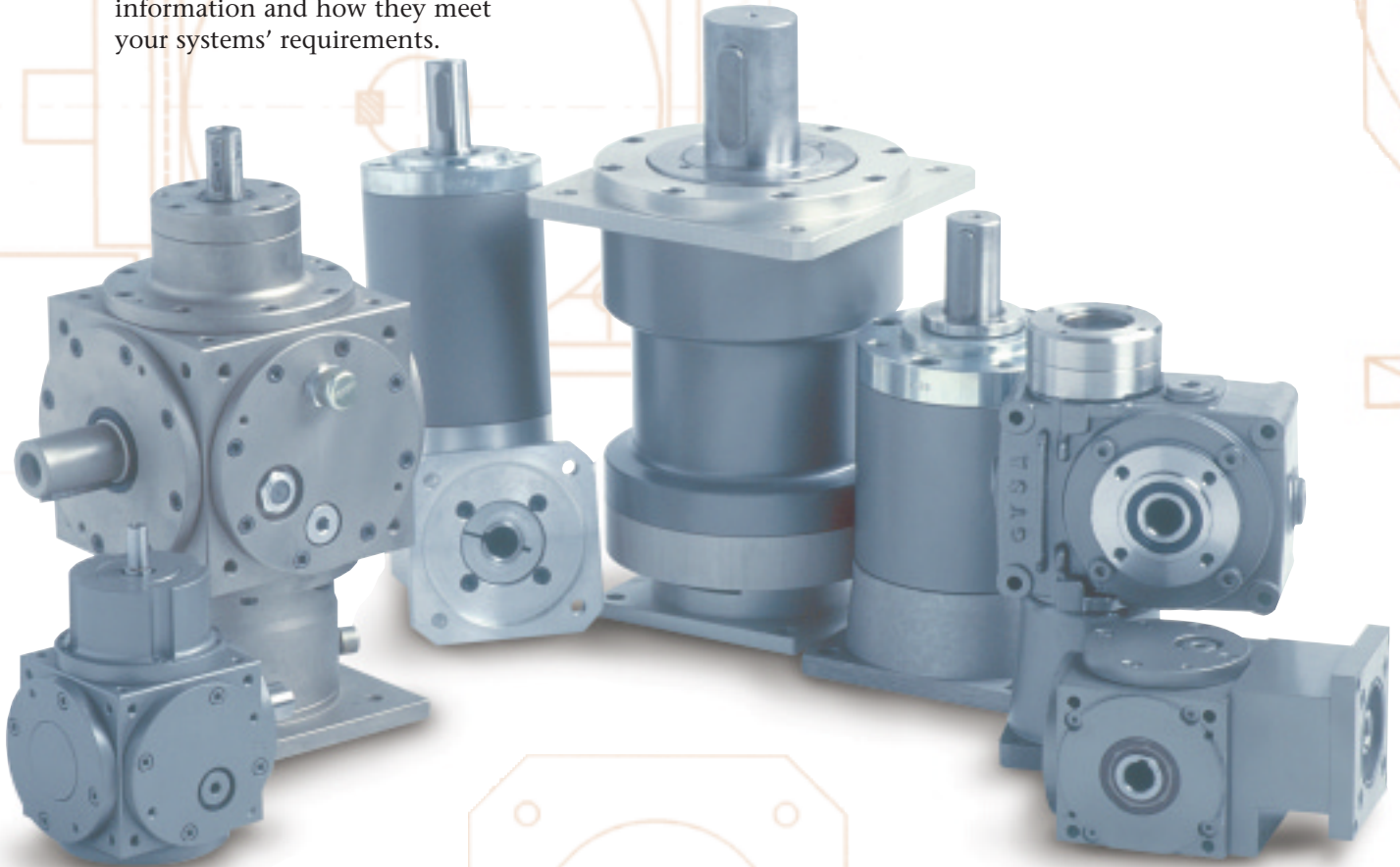
 **TECHNO GEAR**®  
Precision Gearing



# TECHNOGEAR®

Precision Gearing

**SIPCO's TechnoGear®** products are for systems requiring a high degree of control and precision. We offer a wide range of products that include planetary reducers, hypoid, spiral/planetary bevels and zero backlash wormgear reducers. Contact us for specific product information and how they meet your systems' requirements.



## PLANETARY SERVO GEARBOX

- Standard ratios from 2 to 1296:1
- Input speeds up to 6000 rpm
- Low backlash from 15 to 3 arc minutes
- Input shaft with heavy-duty bearings
- Efficiency 90-96%
- In-line or Right Angle
- NEMA and IEC standards available

## HYPOID GEARBOX

- Ratios from 8 to 50:1
- Low backlash from 10 to 1 arc minutes
- Efficiency 95-98%
- Patented planetary/hypoid design (Unicase)

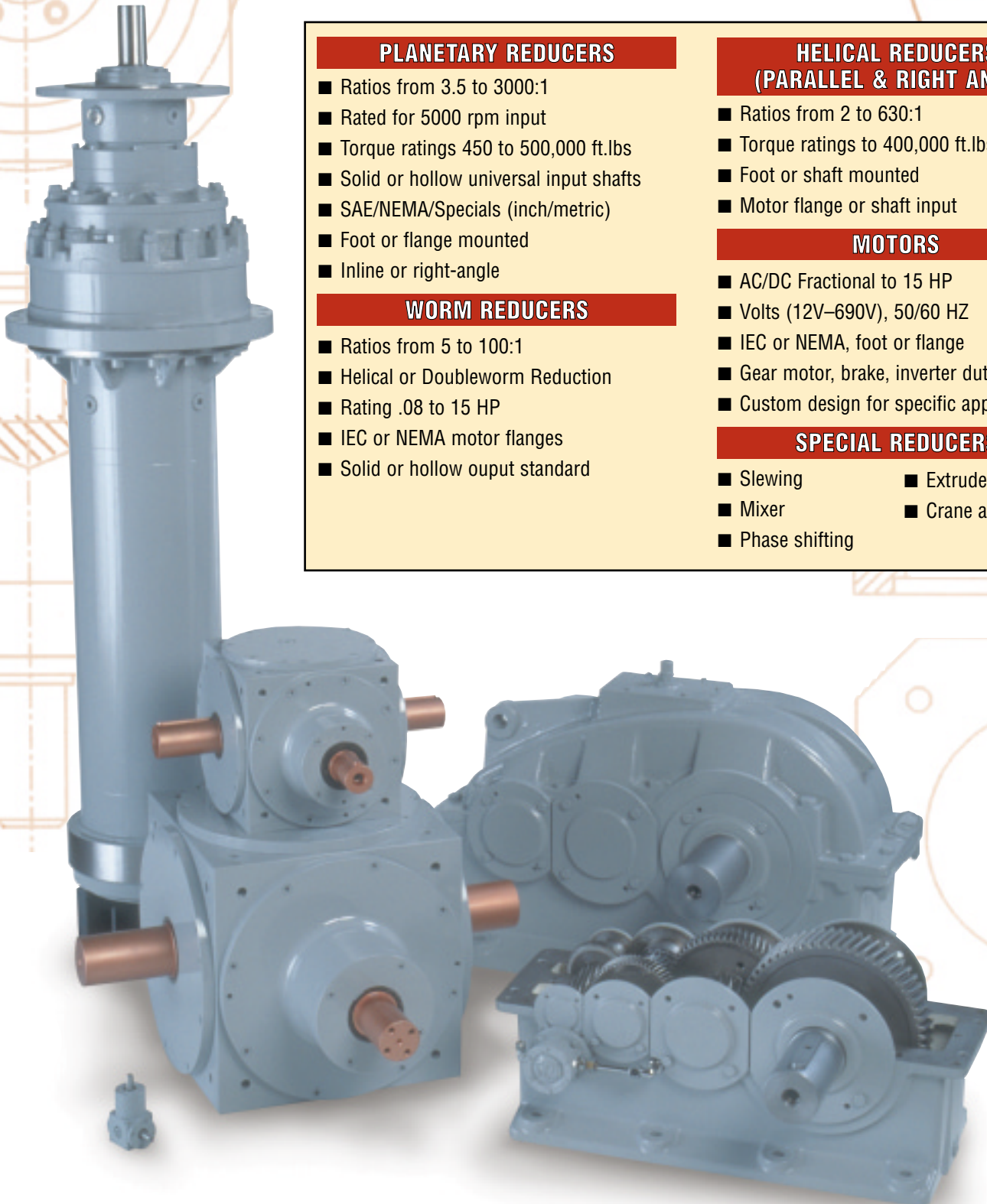
## SPIRAL BEVEL/PLANETARY BEVEL

- Ratios from 1 to 50:1
- Low backlash from 15 to 1 arc minutes
- Efficiency 95-98%
- Patented planetary/spiral bevel design (Unicase)
- Gears to 1 arc minute of tooth error

## ZERO-BACKLASH SERVO WORMGEAR

- Ratios from 5 to 90:1
- Input speed up to 6000 rpm
- Double pitch tooth design
- Low adjustable backlash: <1 arc minute standard
- Efficiency 95% on low ratios
- Quiet: <55 dB noise level

For standard gearing applications, **SIPCO** offers a complete line of **TECHNO DRIVE®** products. Please contact us for questions regarding our standard products, our inventory, or specific applications.



### PLANETARY REDUCERS

- Ratios from 3.5 to 3000:1
- Rated for 5000 rpm input
- Torque ratings 450 to 500,000 ft.lbs
- Solid or hollow universal input shafts
- SAE/NEMA/Specials (inch/metric)
- Foot or flange mounted
- Inline or right-angle

### WORM REDUCERS

- Ratios from 5 to 100:1
- Helical or Doubleworm Reduction
- Rating .08 to 15 HP
- IEC or NEMA motor flanges
- Solid or hollow output standard

### HELICAL REDUCERS (PARALLEL & RIGHT ANGLE)

- Ratios from 2 to 630:1
- Torque ratings to 400,000 ft.lbs
- Foot or shaft mounted
- Motor flange or shaft input

### MOTORS

- AC/DC Fractional to 15 HP
- Volts (12V–690V), 50/60 HZ
- IEC or NEMA, foot or flange
- Gear motor, brake, inverter duty
- Custom design for specific applications

### SPECIAL REDUCERS

- Slewing
- Mixer
- Phase shifting
- Extruders
- Crane and hoist



# TECHNOMOTION®

Linear Movement

For applications requiring linear movement, **SIPCO** offers a complete line of **TECHNOMOTION®** products. Please contact us for questions regarding our linear movement products, our inventory, or specific applications.

## LINEAR ACTUATORS

- ACME screw
- Ball screw

## BELT DRIVE

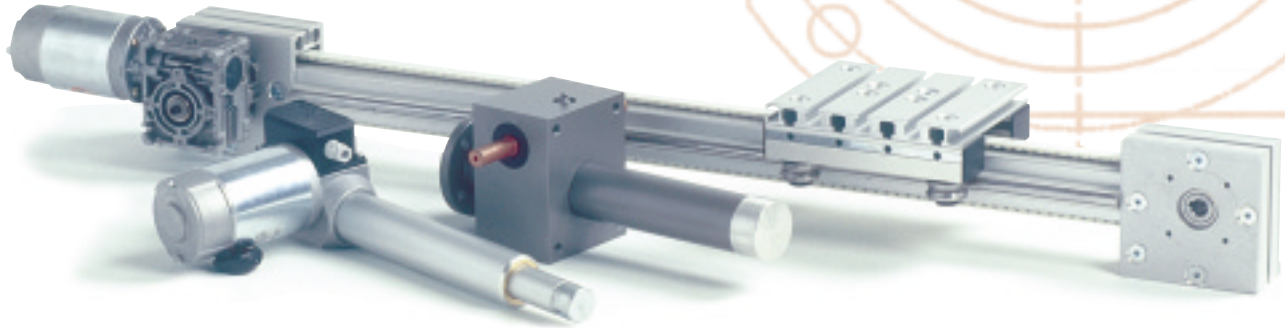
- Sliding carrier
- Actuating cylinder

## SCREW JACK

- ACME screw
- Ball screw

## PRECISION BALL SCREWS

- Ground
- Zero backlash
- Rolled design



# TECHNOLOCK®

Couplings and Clutches

For precision couplings, standard couplings and clutches, **SIPCO** offers a complete line of **TECHNOLOCK®** products. Please contact us for questions regarding our couplings and clutches, our inventory, or specific applications.

## COUPLINGS

- Precision-zero backlash
- Bellows, steel laminated
- Gear, barrel, fluid drive
- Clamping elements & shrink disk

## PULLEYS

- Metric/Inches
- Taper lock, finished bores
- V-bolts

## GEARING

- Precision and Standard
- Inches or metric design
- Helical, Spiral, Bevel, Hypoid, Worm
- Special designs

## MECH. TORQUE LIMITERS

- Friction type:  
738 to 368,750 ft.lbs
- Ball detent:  
369 to 184,375 ft.lbs

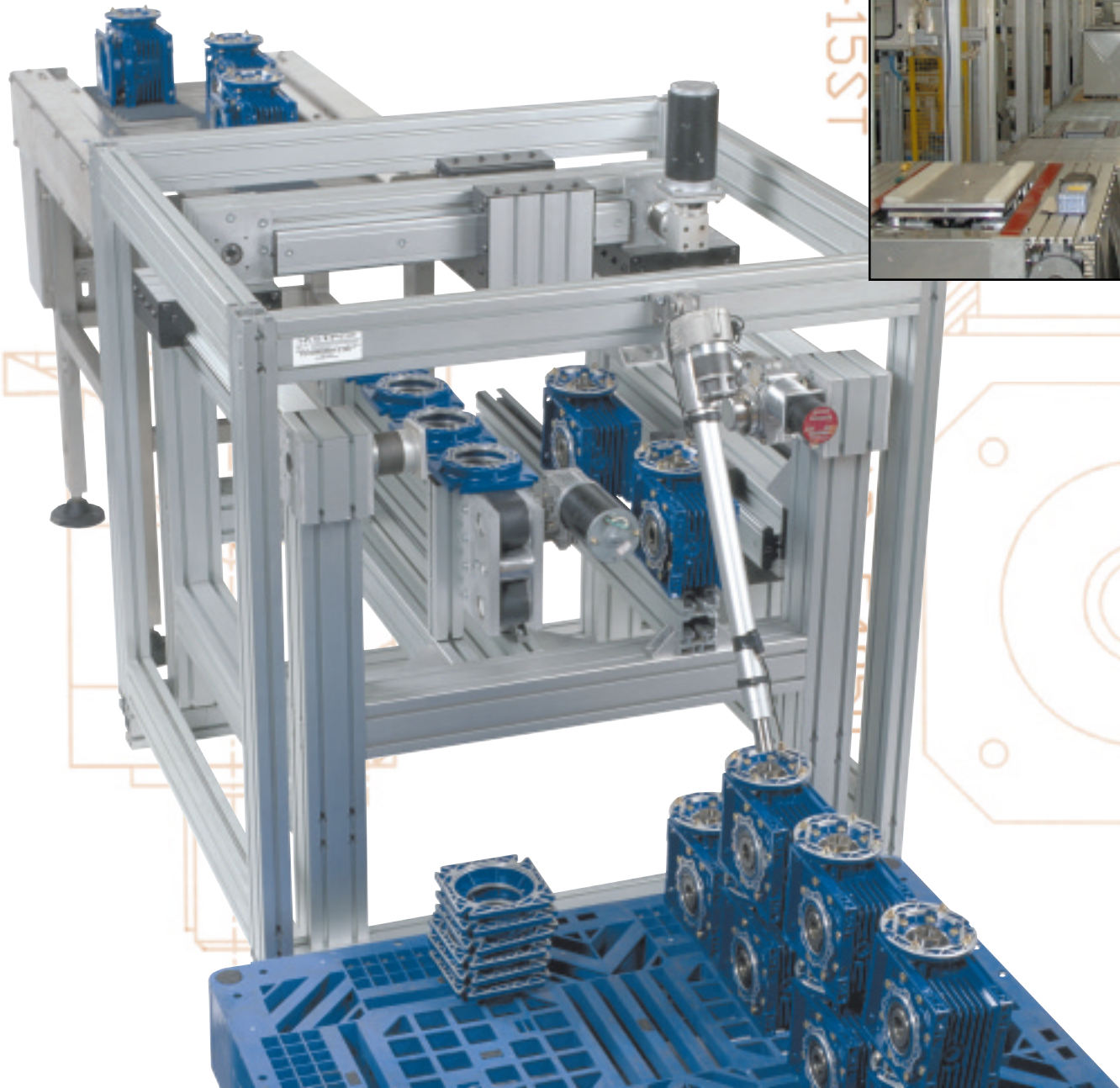


**SIPCO's TechnoTeam**<sup>®</sup> is the utilization of all Techno product groups creating Mechanical Linkage Solutions from components to complete systems for design such as:

- Material handling systems
- Factory automation
- Robotic assemblies
- Automation applications
- Work stations
- Assembly lines

#### BENEFITS

- Engineering design from standard components
- Flexible modular system using Techno products: Mechanical parts, aluminum profiles & accessories
- Solid three-dimensional AutoCAD design
- Economical with short delivery time
- One source for Mechanical Linkage Solutions





12610 Galveston Road  
Webster (Houston), TX 77598

Tel: (281) 480-8711  
Fax: (281) 480-8656

Visit our website at:  
[www.sipco-mls.com](http://www.sipco-mls.com)

Email: [sales@sipco-mls.com](mailto:sales@sipco-mls.com)



Use Our  
CAD Drawings  
with PartSpec<sup>®</sup>

*AutoCad drawings are available on CD-ROM.*

**DISTRIBUTED BY**